

## Vane-Type Waterflow Detector

**FIG. F6001**  
**FIG. F6001T**

### Specifications

- Equipped with tamper resistant screws to prevent unauthorized entry.
- Two synchronized switches are enclosed in a durable terminal block. Terminals are easy to read and wire.
- Built-In mechanical time delay feature; minimizing the risk of false alarms due to pressure surges or air trapped in the system.
- Offers excellent performance during riser vibrations caused by large in-rushes of water.
- Designed and built for accuracy and repeatability.
- Flow sensitivity range  
UL/FM: 4-10 GPM (15-38 LPM)  
CE: 30-57L/min
- Contact rating  
UL/FM: 8A at 250VAC, 3A at 24VDC, 2.5A at 30VDC  
CE: 8A at 125/250VAC, 3A at 24VDC

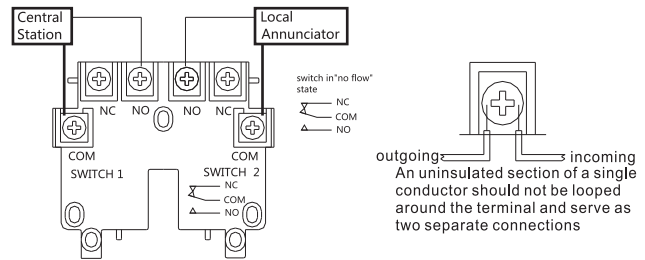
### Working Pressure and Temperature

- UL/FM: 450 psi for 2" to 8", 300 psi for 10"
- CE: 16 bar
- 0°C to 68°C temperature

### Material Specifications

Fig.	Saddle	Cover
F6001	Aluminum B85 A04130	PC Aluminum B85 A04130
F6001T	Bronze, B148 C95200	PC Aluminum B85 A04130

### Typical Connections



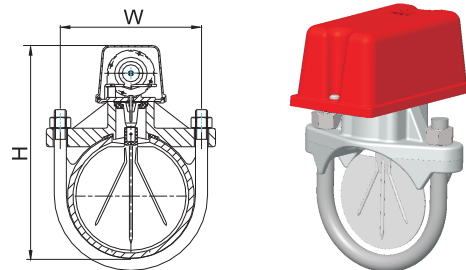
FM Approved, EAC, CE and 3C Certified, 2" to 8" are UL/ULC Listed

F6001

### Main Dimensions (mm / Inch)

Size	2	2.5	3	4	5	6
W	84 / 3.31	92 / 3.62	104 / 4.09	133 / 5.24	160 / 6.30	187 / 7.36
H	190 / 7.48	200 / 7.87	220 / 8.66	245 / 9.65	270 / 10.63	300 / 11.8
Nominal Pipe Size OD.	60.3 / 2.37	73 / 2.87	88.9 / 3.50	114.3 / 4.50	141.3 / 5.56	168.3 / 6.63
Pipe Wall Thickness	2.77 - 3.91 0.11 - 0.15	3.05 - 5.16 0.12 - 0.20	3.05 - 5.49 0.12 - 0.22	3.05 - 6.02 0.12 - 0.24	3.40 - 6.55 0.13-0.26	3.40 - 7.11 0.13-0.28

Size	8	10
W	239 / 9.41	294 / 11.57
H	350 / 13.78	405 / 15.94
Nominal Pipe Size OD.	219.1 / 8.63	273.1 / 10.75
Pipe Wall Thickness	3.76 - 8.18 0.15-0.32	4.19 - 9.27 0.16-0.36



UL/ULC Listed, FM Approved, EAC and CE Certified

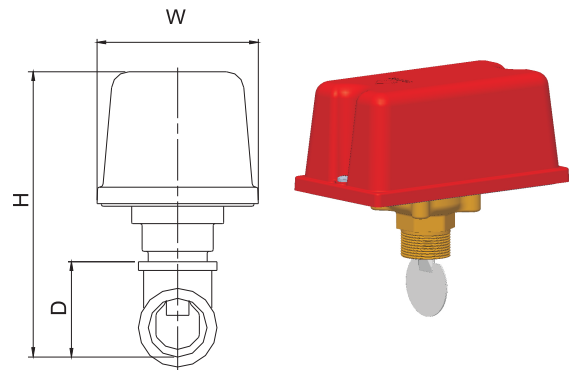
F6001T

### Main Dimensions (mm / Inch)

Size	1	1-1/4
W	93 / 3.67	93 / 3.67
H	164 / 6.46	172.5 / 6.79
D (Depth)	54 / 2.12	62.5 / 2.46

Size	1-1/2	2
W	93 / 3.67	93 / 3.67
H	179 / 7.05	192 / 7.56
D (Depth)	69 / 2.71	82 / 3.22



#### Note

• Designs, materials and specifications shown are subject to change without notice due to the continuous development of our products.